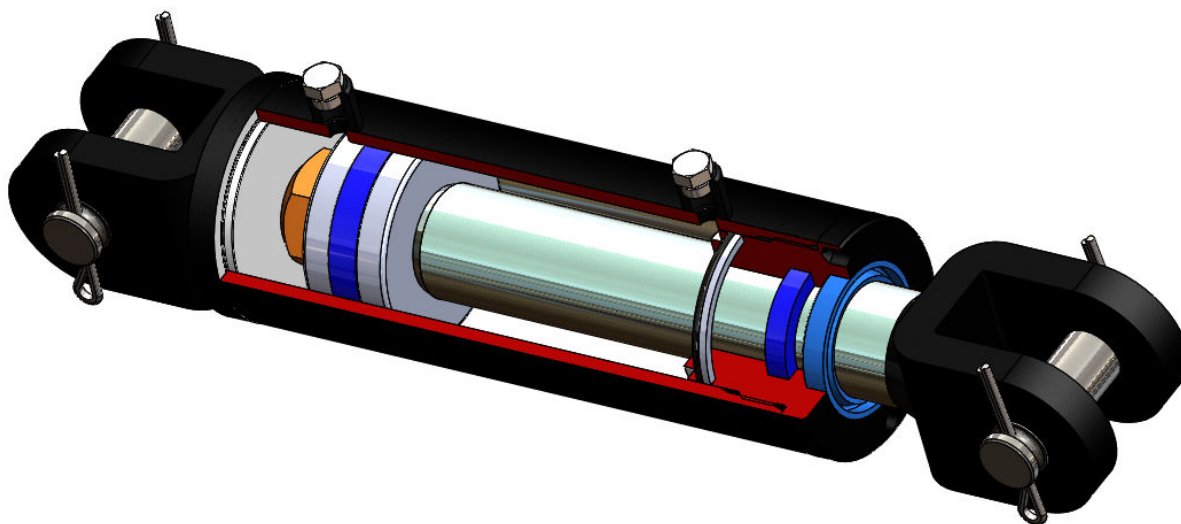


WELDED CYLINDER

3000 PSI - DOUBLE ACTING CYLINDERS - FORMED CLEVIS MOUNT



Bore (in)	A (in)	B (in)	E (in)	L (in)	G (in)	Port	Rod Dia. (in)	Est. Calc. Wt. (lbs.)
2	10.25	1.00	1.13	2.13	2.13	SAE #6	1.25	11+ (.75 * stroke)
2.5	10.25	1.00	1.13	2.13	2.13	SAE #8	1.50	14.5+ (.95 * stroke)
3	10.25	1.00	1.13	2.13	2.13	SAE #8	1.50	22+ (.55 * stroke) ++
3.5	10.25	1.00+	1.13	2.38	2.00	SAE #8	1.75	26+ (.75 * stroke) ++
4	10.25	1.00+	1.63	3.13	1.75	SAE #8	2.00	32+ (.75 * stroke) ++

+ Larger pin diameters available upon request

++ add 0.5 to multiplier for strokes $\geq 14"$ (i.e. change .75 to 1.25)

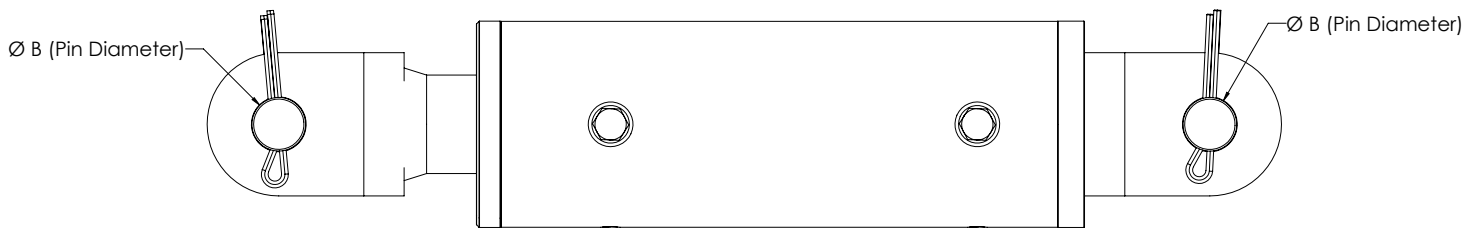
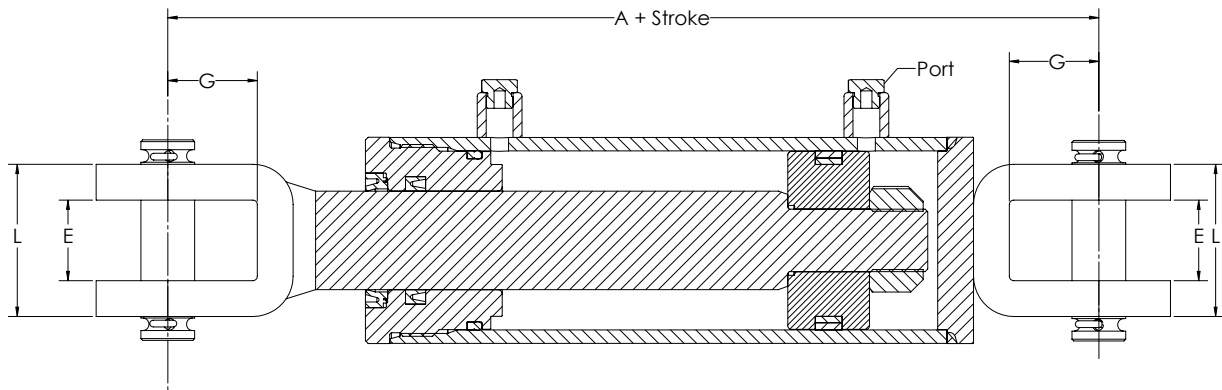
DESCRIPTION

- Piston seal - bronze impregnated PTFE piston ring w/rectangular nitrile expander; or optional polyurethane U-cup.
- Rod seal - polyurethane U-cup.
- Exterior finish powder painted black.
- Standard SAE ports, others thread types are available upon request.
- 100% pressure test to 1.3 times rated pressure.
- Chrome plated rod.

Model Number Breakdown		
PX	20	04 CW
	Bore Size (in)	Stroke (in) Formed Clevis

WELDED CYLINDERS

DOUBLE ACTING - FORMED CLEVIS MOUNT



STANDARD BORE AND STROKE COMBINATIONS

		Bore (in)*				
		2	2.5	3	3.5	4
Stroke (in)*	4	•	•	•	•	•
	6	•	•	•	•	•
	8	•	•	•	•	•
	10	•	•	•	•	•
	12	•	•	•	•	•
	14	•	•	•	•	-
	16	•	•	•	•	-
	18	•	•	•	•	•
	20	•	•	•	•	•
	24	•	•	•	•	•
	28	•	•	•	•	•
	30	•	•	•	•	-
	32	•	•	•	•	-
	34	•	•	•	-	-
	36	•	•	•	•	-

- Standard bore and stroke combination.
- Non standard combination, please consult the factory for availability.
- * Other bore and stroke combinations are available upon request.