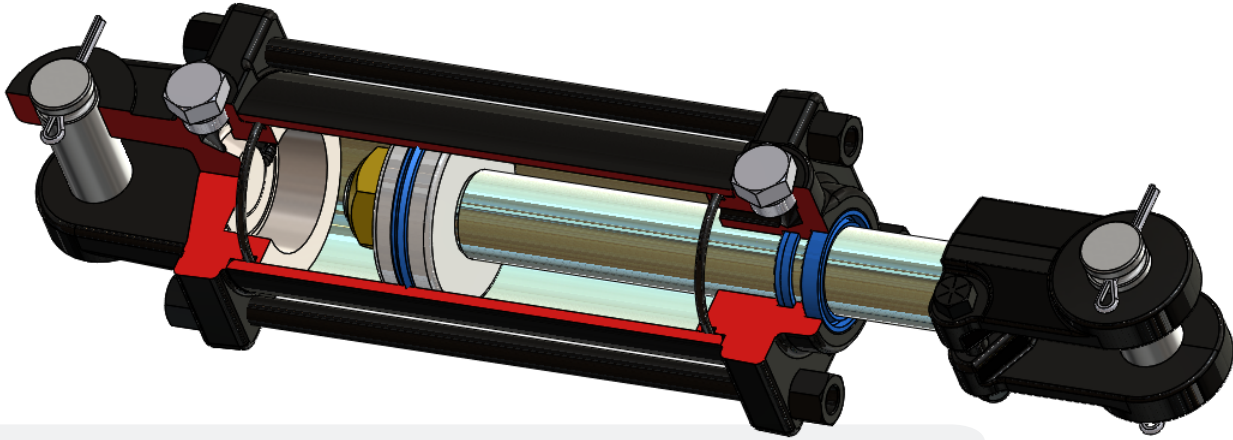


TIE ROD CYLINDERS

3000 PSI – DOUBLE ACTING – CLEVIS MOUNT AT BASE AND ROD END



DESCRIPTION

- Piston seal - bronze impregnated PTFE piston ring w/rectangular nitrile expander.
- Rod seal - standard polyurethane U-cup with nitrile expander.
- Exterior finish powder painted black.
- Standard NPTF ports, others thread types are available upon request.
- Includes mounting pins and cotter pins.
- 100% pressure test to 1.3 times rated pressure.

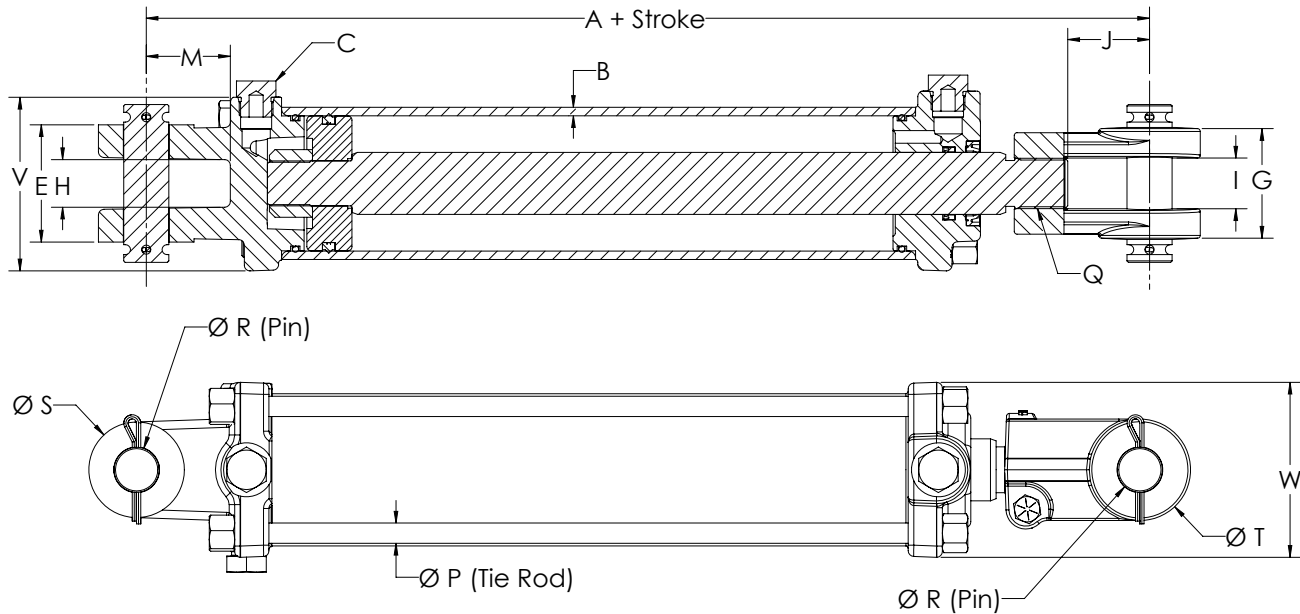
STANDARD BORE AND STROKE COMBINATIONS

		Bore (in)*				
		2	2.5	3	3.5	4
Stroke (in)*	4	•	•	•	-	-
	6	•	•	•	-	-
	8	•	•	•	•	•
	8-A	•	•	•	•	•
	10	•	•	•	•	•
	12	•	•	•	•	•
	14	•	•	•	•	-
	16	•	•	•	•	•
	16-A	-	-	-	•	-
	18	•	•	•	•	•
	20	•	•	•	•	•
	24	•	•	•	•	-
	24-2	-	-	-	-	•
	30	-	-	•	•	-
	36	•	-	•	•	-

Model Number Breakdown			
PX	20	04	T
	Bore Size (in)	Stroke (in)	Type:
			T=Tie Rod
			T-A=ASAE Tie Rod

- Standard bore and stroke combination.
- Please consult factory for maximum working pressure.
- Non standard combination, please consult the factory for availability.
- * Other bore and stroke combinations are available upon request.

TIE ROD CYLINDERS



Bore (in)	A* (in)	B (in)	C*	Rod (in)	E (in)	G (in)	H (in)	I (in)	J (in)
2	10.25	0.19	3/8" NPTF - SAE # 6	1.13	2.50	2.50	1.13	1.13	2.13
2.5	10.25	0.19	3/8" NPTF - SAE # 6	1.13	2.50	2.50	1.13	1.13	2.13
3	10.25	0.19	1/2" NPTF - SAE #8	1.25 ‡	2.50	2.63	1.13	1.13	2.13
3.5	10.25	0.22	1/2" NPTF - SAE #8	1.25 †	2.50	2.63	1.13	1.13	2.13
4	10.25	0.24	1/2" NPTF - SAE #8	1.25 ◊	2.63	2.63	1.13	1.13	2.13

Bore (in)	M (in)	P (in)	Q	R* (in)	S (in)	T (in)	V (in)	W (in)	Est. Calc. Wt. (lbs.)
2	1.63	0.39	1.13"-12 UNF	1.00	2.00	2.00	2.84	2.84	12 + (.75 * stroke)
2.5	1.63	0.39	1.13"-12 UNF	1.00	2.00	2.00	3.15	3.15	14.5 + (.75 * stroke)
3	1.63	0.47	1.25"-12 UNF	1.00	2.00	2.25	3.80	3.80	18 + (.90 * stroke) +
3.5	1.63	0.55	1.25"-12 UNF	1.00	2.25	2.25	4.25	4.25	24 + (.75 * stroke) ++
4	1.63	0.63	1.25"-12 UNF	1.00	2.25	2.25	4.92	4.92	32 + (.75 * stroke) ++

A*: 12.50" for 8" stroke ASAE cylinders and 15.50" for 16" stroke ASAE cylinders.

C*: (PORT): NPTF is standard and SAE port is available.

R*: (Pin diameter): 1.25" for 16" stroke ASAE cylinder from 3.0" to 4.0" bore.

‡ 1-1/2" rod for 30" and 36" strokes.

† 1-1/2" rod for 16" stroke ASAE cylinder.

◊ 1-1/2" rod for 8" (ASAE cylinder), 18" and 20" strokes. 2" rod for 24" stroke.

+ add 0.5 to multiplier for strokes ≥ 30" (change .75 to 1.25).

++ add 0.5 to multiplier for strokes ≥ 14" (change .90 to 1.40).

ASAE STROKE CYLINDER

ASAE Cylinders meet ASAE (American Society of Agricultural Engineers) specifications. These specifications establish common mounting (i.e. pin to pin dimensions) and clearance dimensions (i.e. base end and rod clevis throat width and pin diameters) for cylinders and trailing-type agricultural implements. This criteria is only applicable to 8" and 16" stroke cylinders. All 2" through 4" bore cylinders with 8" stroke are designed with the rod threaded to accommodate a stroke control collar per ASAE specifications.

NON ASAE STROKE CYLINDER

NON ASAE cylinders are designed per ASAE requirements, however are not classified ASAE due to their varying pin to pin dimensions.