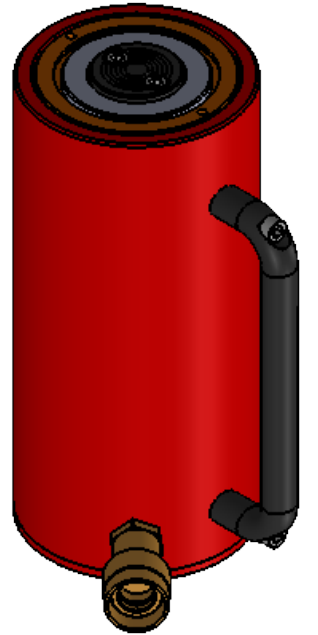
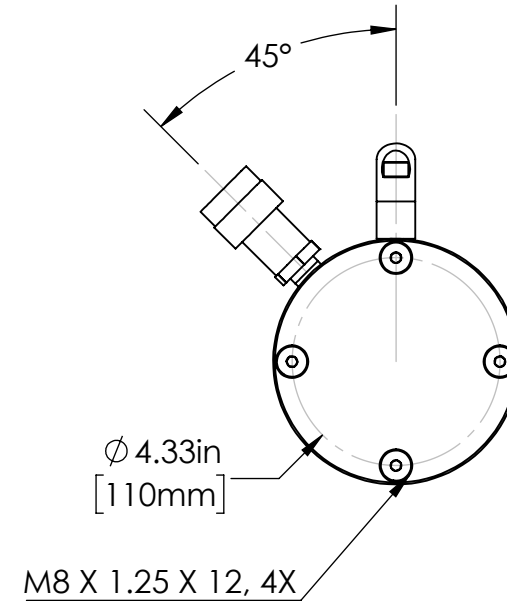
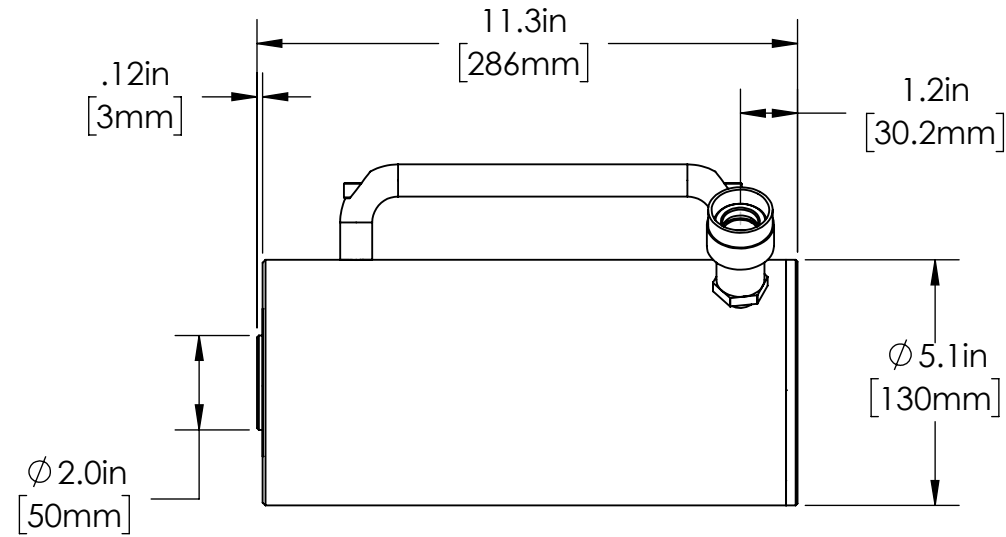
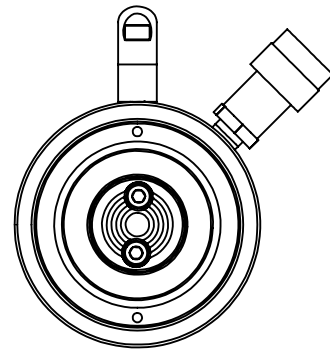


4

3

2

1



NOTES:

1. DO NOT SCALE DRAWING.
2. ROD DIAMETER: 3.15" (80mm)
3. BORE DIAMETER: 3.74" (95mm)
4. STROKE: 6.0" (152.4mm)
5. BORE EFFECTIVE AREA: 10.99 SQ.IN. (70.9 SQ. cm)
6. BORE OIL VOLUME: 66 CU.IN. (1.1L)
7. EXTEND FORCE: 55 TONS
8. REMOVABLE SADDLE.
9. APPROXIMATE WEIGHT: 25 LBS (11.3 KG)
10. STEEL BASE PLATE FOR INCREASED DURABILITY

UNLESS OTHERWISE SPECIFIED:
DIMENSIONS ARE IN INCHES.

TOLERANCES:
 FRACTIONAL ±1/16
 ANGLES ±1°
 ONE PLACES ±.050 (1.25mm)
 TWO PLACES ±.010 (.25mm)
 THREE PLACES ±.005 (.13mm)
 FINISH 125 MAX
 C/B .020

THIRD ANGLE PROJECTION

PROPRIETARY AND CONFIDENTIAL
 THE INFORMATION CONTAINED IN THIS DRAWING IS THE SOLE PROPERTY OF PowerX International. ANY REPRODUCTION IN PART OR AS A WHOLE WITHOUT THE WRITTEN PERMISSION OF PowerX International IS PROHIBITED.

MATERIAL

FINISH

DO NOT SCALE DRAWING

	NAME	DATE
DRAWN	JJJ	12/26/18
CHECKED		
ENG APPR.	JJJ	12/26/18
MFG APPR.		
Q.A.		
COMMENTS:		



TITLE:
CYLINDER, ALUMINUM BODY, INSTALLATION DRAWING

SIZE	DWG. NO.	REV
B	CAL55-6	A
SCALE: 1:4	WEIGHT:	SHEET 1 OF 1

REV.	ECN.	DATE	DRAWNBY	DESCRIPTION	APPROVED	APPR. DATE
A	C18-12-151	12/26/2018	JJJ	RELEASE OF DRAWING	JJJ	12/26/18
REVISIONS						

4

3

2

1

B

B

A

A