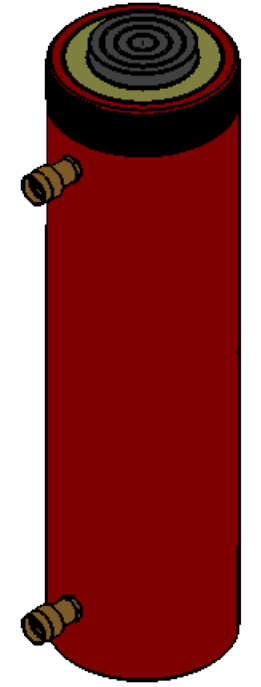
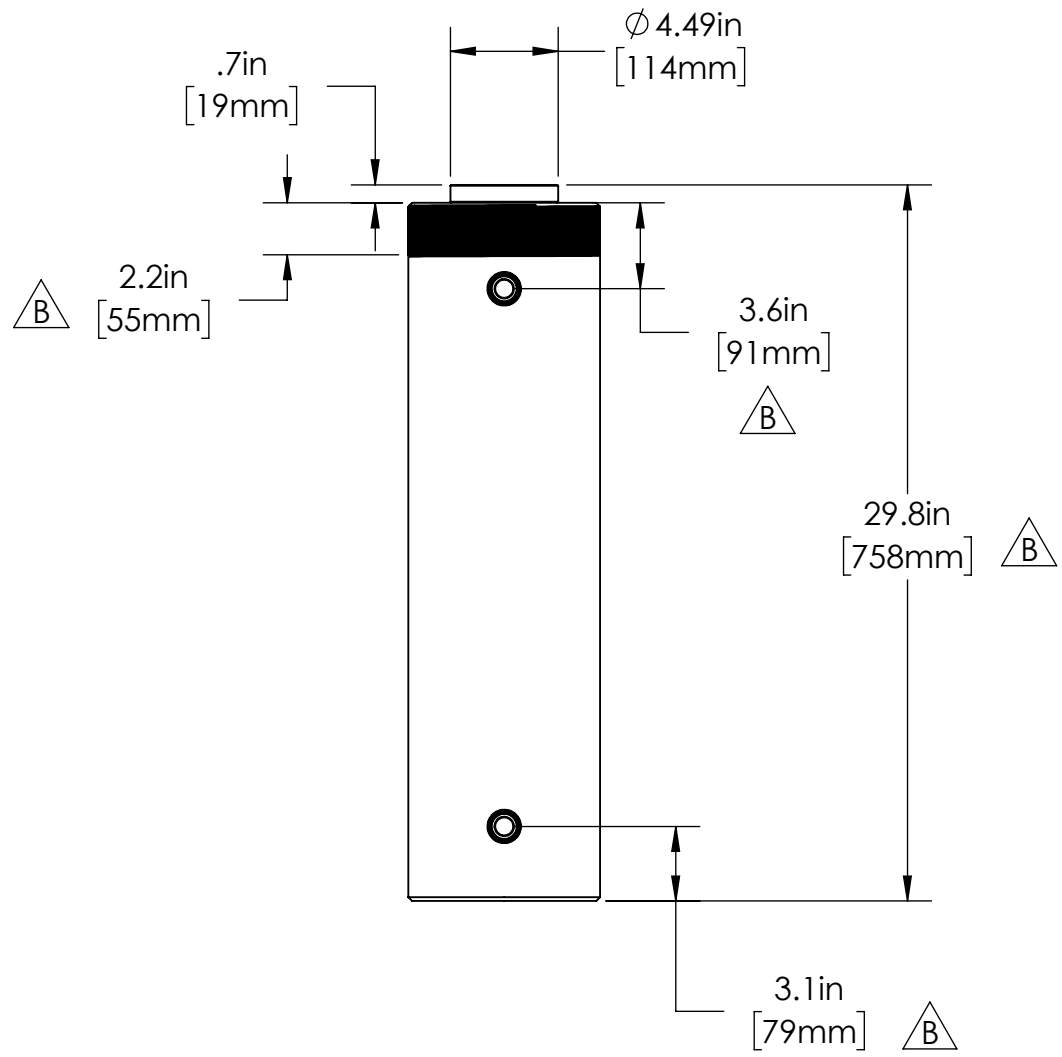


4

3

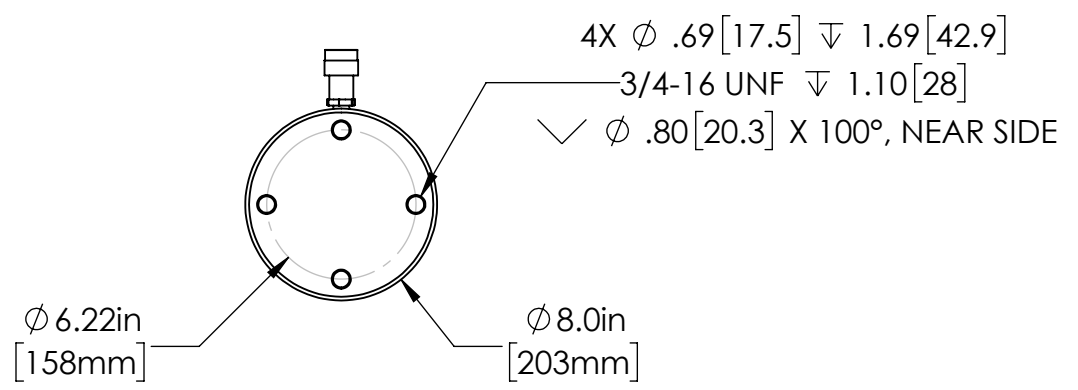
2

1



NOTES:

1. RATED LOAD: 155 TONS PUSH, 75 TONS PULL
2. ROD Ø: 4.50" (114.3mm)
3. BORE Ø: 6.25" (158.8mm)
4. STROKE: 18" (457mm)
5. RETRACTED LENGTH: 29.8" (758mm)
6. EXTENDED LENGTH: 47.8 (1215mm) B
7. MAX. PRESSURE: 10,000 PSI
8. INTERNAL ROD THREADS: 3-3/8"-16
9. EXTERNAL COLLAR THREADS: 8"-12
10. INTERNAL AND EXTERNAL THREADS TO WITHSTAND FULL LOAD
11. PAINT COLOR: POWERX RED
12. OPTIONAL RELIEF VALVE PROTECTS CYLINDER ROD END FROM OVER PRESSURIZATION
13. APPROXIMATE WEIGHT 170 LBS (77 KG)



UNLESS OTHERWISE SPECIFIED: DIMENSIONS ARE IN INCHES.		NAME	DATE
TOLERANCES: FRACTIONAL ±1/16 ANGLES ±1° ONE PLACES ±.050 (1.25mm) TWO PLACES ±.010 (.25mm) THREE PLACES ±.005 (.13mm) FINISH 125 MAX C/B .020		JJJ	4/23/18
MATERIAL	DO NOT SCALE DRAWING	DRAWN	
FINISH		CHECKED	
		ENG APPR.	
		MFG APPR.	
		Q.A.	
		COMMENTS:	

**POWERX**

TITLE:  
**CYLINDER,  
DOUBLE ACTING,  
INSTALLATION**

SIZE	DWG. NO.	REV
<b>B</b>	CD150-18 - INSTALL	<b>B</b>
SCALE: 1:8	WEIGHT:	SHEET 1 OF 1

B	C18-05-052	5/2/2018	JJJ	2.2" WAS 2.4; 3.6" WAS 3.8"; 3.1" WAS 2.1"; 29.8" WAS 27.2"; EXTENDED LENGTH WAS 45.2"; ADDED MOUNTING HOLES; ADDED NOTE 12	JJJ	05/03/2018
REV.	ECN.	DATE	DRAWNBY	DESCRIPTION	APPROVED	APPR. DATE
REVISIONS						

THIRD ANGLE PROJECTION

**PROPRIETARY AND CONFIDENTIAL**  
THE INFORMATION CONTAINED IN THIS DRAWING IS THE SOLE PROPERTY OF PowerX International. ANY REPRODUCTION IN PART OR AS A WHOLE WITHOUT THE WRITTEN PERMISSION OF PowerX International IS PROHIBITED.

4

3

2

1

B

B

A

A