

4

3

2

1

STANDARD SADDLE

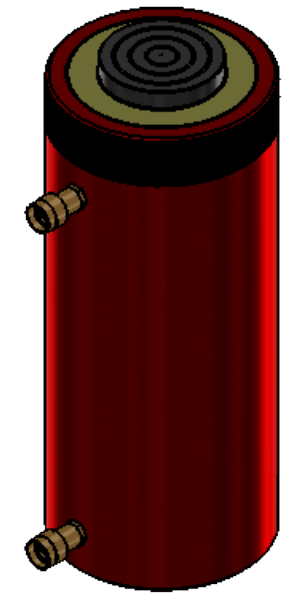
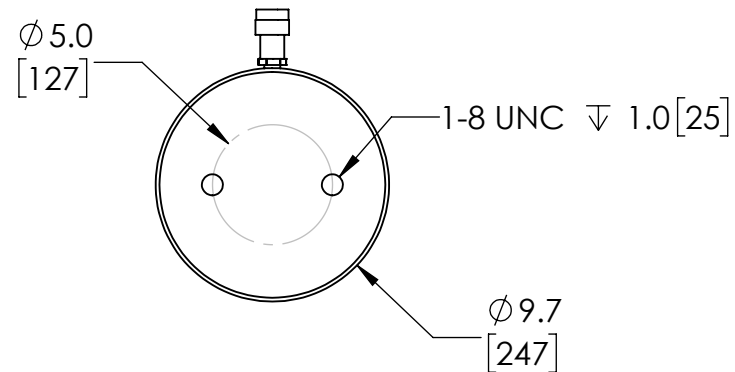
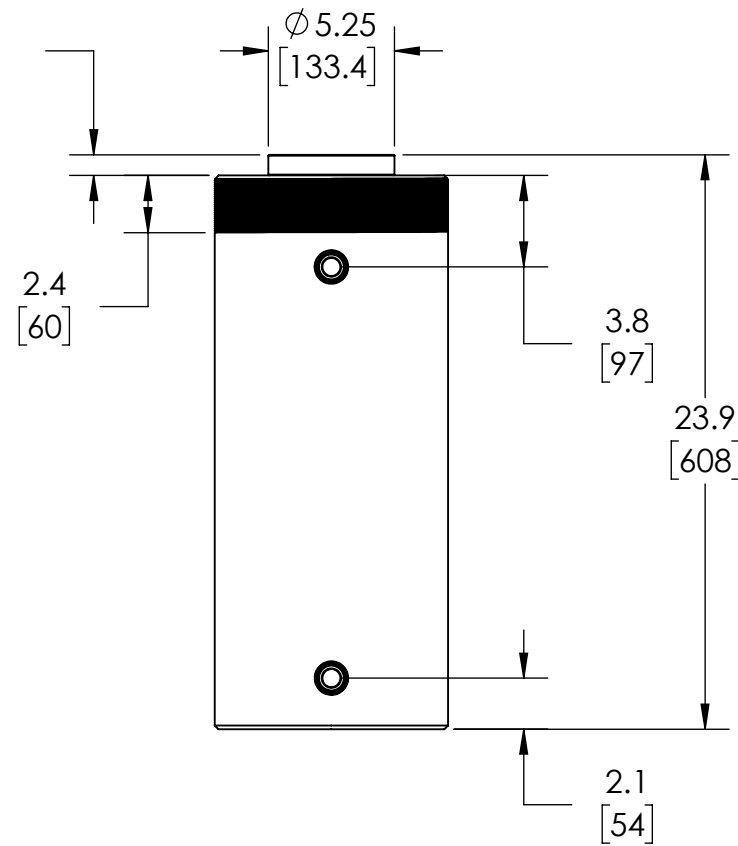
.9

[22]

TILT SADDLE

1.4

[35]



NOTES:

1. RATED LOAD: 200 TONS PUSH, 112 TONS PULL
2. ROD Ø: 4.50"
3. BORE Ø: 5.25"
4. STROKE: 13.00"
5. RETRACTED LENGTH: 23.9" (WITH STANDARD SADDLE)
6. EXTENDED LENGTH: 36.9" (WITH STANDARD SADDLE)
7. MAX. PRESSURE: 10,000 PSI
8. INTERNAL ROD THREADS: 2-1/2-12
9. EXTERNAL COLLOR THREADS: 9-3/4-12 RIGHT HAND THREADS
10. INTERNAL AND EXTERNAL THREADS TO WITHSTAND FULL LOAD
11. PAINT COLOR: POWERX RED
12. APPROXIMATE WEIGHT 440 LBS (199 KG)

UNLESS OTHERWISE SPECIFIED:

DIMENSIONS ARE IN INCHES.

TOLERANCES:  
 FRACTIONAL ±1/16  
 ANGLES ±1°  
 ONE PLACES ±.050 (1.25mm)  
 TWO PLACES ±.010 (.25mm)  
 THREE PLACES ±.005 (.13mm)  
 FINISH 125 MAX  
 C/B .020

MATERIAL

FINISH

DO NOT SCALE DRAWING

	NAME	DATE
DRAWN	JJJ	04/10/18
CHECKED		
ENG APPR.		
MFG APPR.		
Q.A.		

COMMENTS:



TITLE:  
**INSTALLATION**  
**CD200-13**

SIZE	DWG. NO.	REV
<b>B</b>	<b>CD200-13 Install</b>	<b>A</b>

SCALE: 1:8 WEIGHT: SHEET 1 OF 1

THIRD ANGLE PROJECTION

**PROPRIETARY AND CONFIDENTIAL**  
 THE INFORMATION CONTAINED IN THIS DRAWING IS THE SOLE PROPERTY OF PowerX International. ANY REPRODUCTION IN PART OR AS A WHOLE WITHOUT THE WRITTEN PERMISSION OF PowerX International IS PROHIBITED.

REVISIONS

REV.	ECN.	DATE	DRAWNBY	DESCRIPTION	APPROVED	APPR. DATE

4

3

2

1

B

B

A

A