

4

3

2

1

STANDARD SADDLE

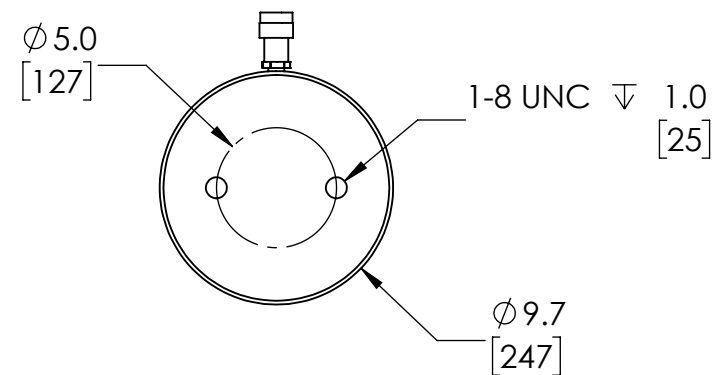
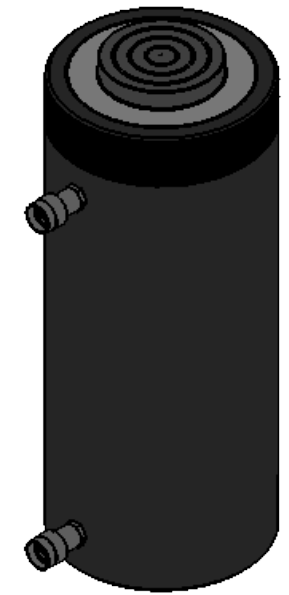
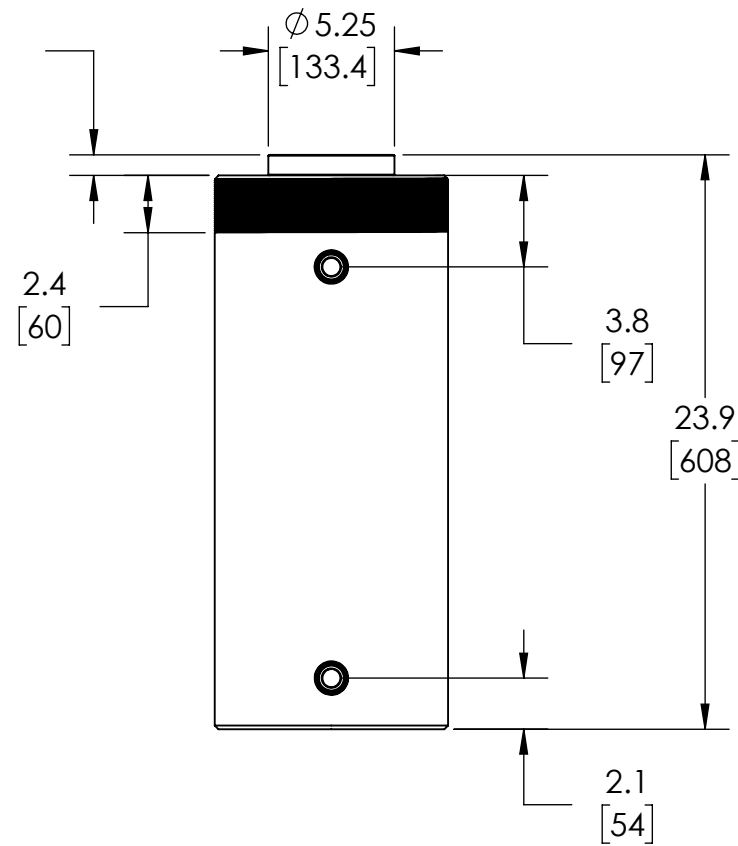
.9

[22]

TILT SADDLE

1.4

[35]



NOTES:

1. RATED LOAD: 200 TONS PUSH, 112 TONS PULL
2. ROD Ø: 4.50"
3. BORE Ø: 5.25"
4. STROKE: 13.00"
5. RETRACTED LENGTH: 23.9" (WITH STANDARD SADDLE)
6. EXTENDED LENGTH: 36.9" (WITH STANDARD SADDLE)
7. MAX. PRESSURE: 10,000 PSI
8. INTERNAL ROD THREADS: 2-1/2-12
9. EXTERNAL COLLOR THREADS: 9-3/4-12 RIGHT HAND THREADS
10. INTERNAL AND EXTERNAL THREADS TO WITHSTAND FULL LOAD
11. PAINT COLOR: POWERX RED
12. APPROXIMATE WEIGHT 440 LBS (199 KG)

UNLESS OTHERWISE SPECIFIED: DIMENSIONS ARE IN INCHES.		NAME	DATE	
TOLERANCES: FRACTIONAL ±1/16 ANGLES ±1° ONE PLACES ±.050 (1.25mm) TWO PLACES ±.010 (.25mm) THREE PLACES ±.005 (.13mm) FINISH 125 MAX C/B .020		JJJ	04/10/18	
<p><b>THIRD ANGLE PROJECTION</b></p> <p><b>PROPRIETARY AND CONFIDENTIAL</b></p> <p>THE INFORMATION CONTAINED IN THIS DRAWING IS THE SOLE PROPERTY OF PowerX International. ANY REPRODUCTION IN PART OR AS A WHOLE WITHOUT THE WRITTEN PERMISSION OF PowerX International IS PROHIBITED.</p>		DRAWN		<p>TITLE:</p> <p style="text-align: center;"><b>INSTALLATION CD200-13</b></p>
		CHECKED		
		ENG APPR.		
		MFG APPR.		
MATERIAL		Q.A.		<p>SIZE <b>B</b> DWG. NO. <b>CD200-13</b> REV <b>A</b></p>
FINISH		COMMENTS:		<p>SCALE: 1:8 WEIGHT: SHEET 1 OF 1</p>
DO NOT SCALE DRAWING				

REV.	ECN.	DATE	DRAWNBY	DESCRIPTION	APPROVED	APPR. DATE

4

3

2

1