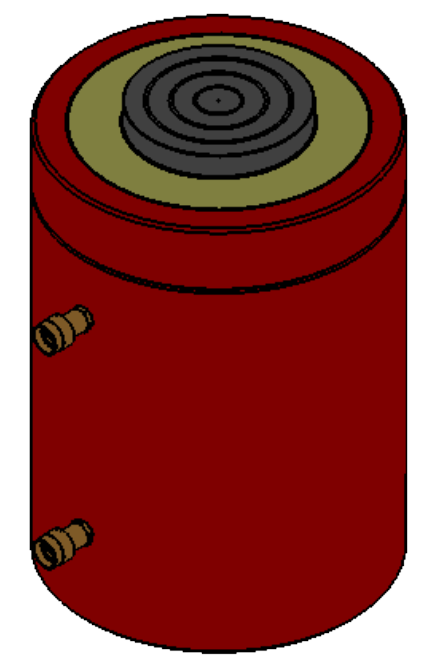
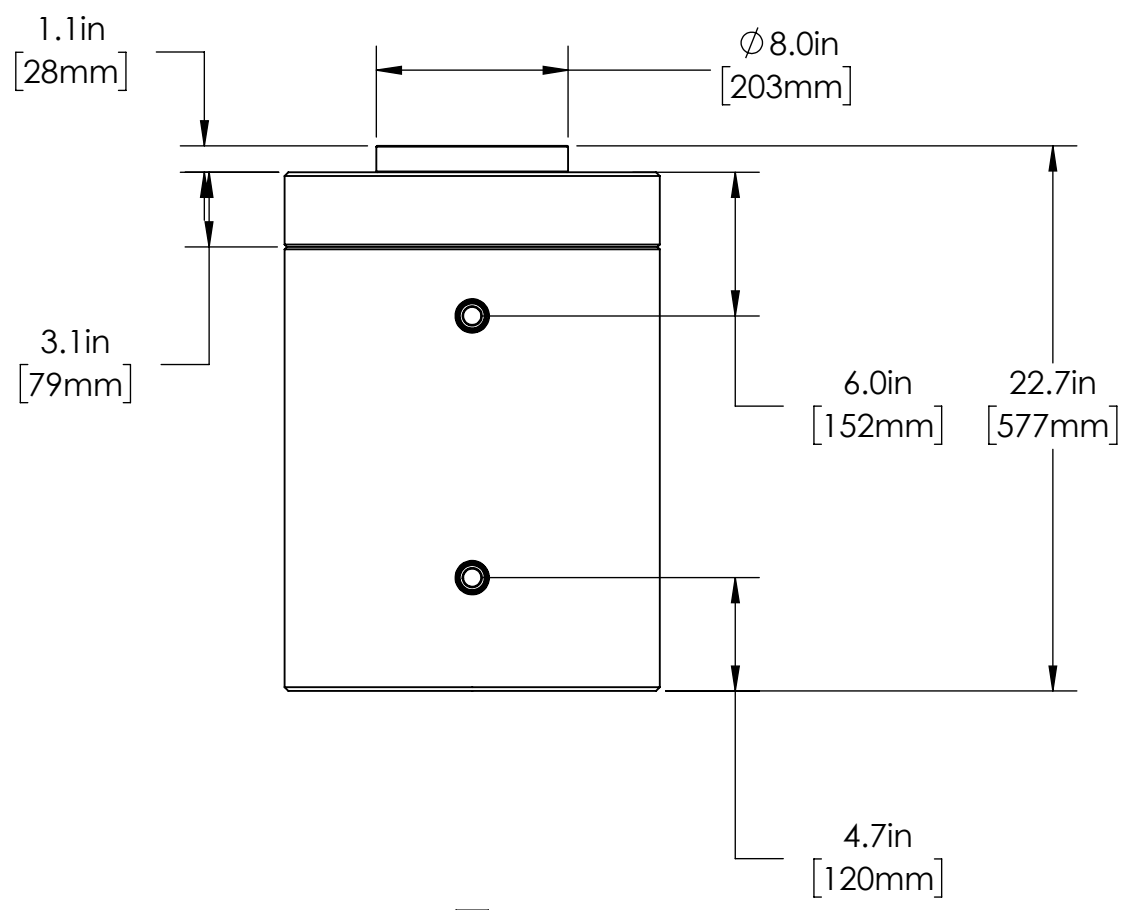


4

3

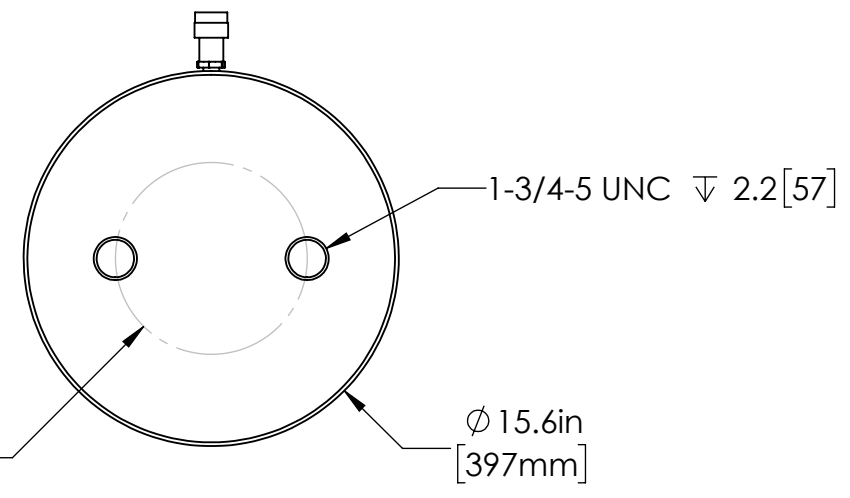
2

1



NOTES:

1. DOUBLE ACTING CYLINDER
2. NOMINAL PUSH FORCE: 500 TONS (4448 KN)
3. RATED LOAD: 574 TONS (5108KN) PUSH, 319 TONS (2838 KN) PULL
4. ROD Ø: 8.0" (203.2mm)
5. BORE Ø: 12.0" (304.8mm)
6. STROKE: 6" (153mm)
7. RETRACTED LENGTH: 22.7" (577mm)
8. EXTENDED LENGTH: 28.7" (730mm)
9. MAX. PRESSURE: 10,000 PSI (700 BAR)
10. INTERNAL ROD THREADS: 3-1/4-12
11. EXTERNAL COLLAR THREADS: 15 5/8"-8
12. REMOVABLE HARDENED STEEL PLUNGER
13. INTERNAL AND EXTERNAL THREADS TO WITHSTAND FULL LOAD
14. PAINT COLOR: POWERX RED
15. OPTIONAL RELIEF VALVE PROTECTS CYLINDER ROD END FROM OVER PRESSURIZATION
16. OPTIONAL HANDLES ARE AVAILALBE
17. APPROXIMATE WEIGHT 952 LBS (432 KG)



UNLESS OTHERWISE SPECIFIED: DIMENSIONS ARE IN INCHES.		NAME	DATE
TOLERANCES: FRACTIONAL ±1/16 ANGLES ±1° ONE PLACES ±.050 (1.25mm) TWO PLACES ±.010 (.25mm) THREE PLACES ±.005 (.13mm) FINISH 125 MAX C/B .020		JJJ	5/31/18
MATERIAL	DO NOT SCALE DRAWING	DRAWN	
FINISH		CHECKED	
		ENG APPR.	
		MFG APPR.	
		Q.A.	
		COMMENTS:	

POWERX		
TITLE: CYLINDER, DOUBLE ACTING, INSTALLATION		
SIZE B	DWG. NO. CD500-6 - INSTALL	REV A
SCALE: 1:8	WEIGHT:	SHEET 1 OF 1

THIRD ANGLE PROJECTION

PROPRIETARY AND CONFIDENTIAL

THE INFORMATION CONTAINED IN THIS DRAWING IS THE SOLE PROPERTY OF PowerX International. ANY REPRODUCTION IN PART OR AS A WHOLE WITHOUT THE WRITTEN PERMISSION OF PowerX International IS PROHIBITED.

A	c18-05-058	5/31/18	JJJ	RELEASE OF DRAWING	JJJ	6/1/18
REV.	ECN.	DATE	DRAWNBY	DESCRIPTION	APPROVED	APPR. DATE
REVISIONS						

4

3

2

1

B

B

A

A