

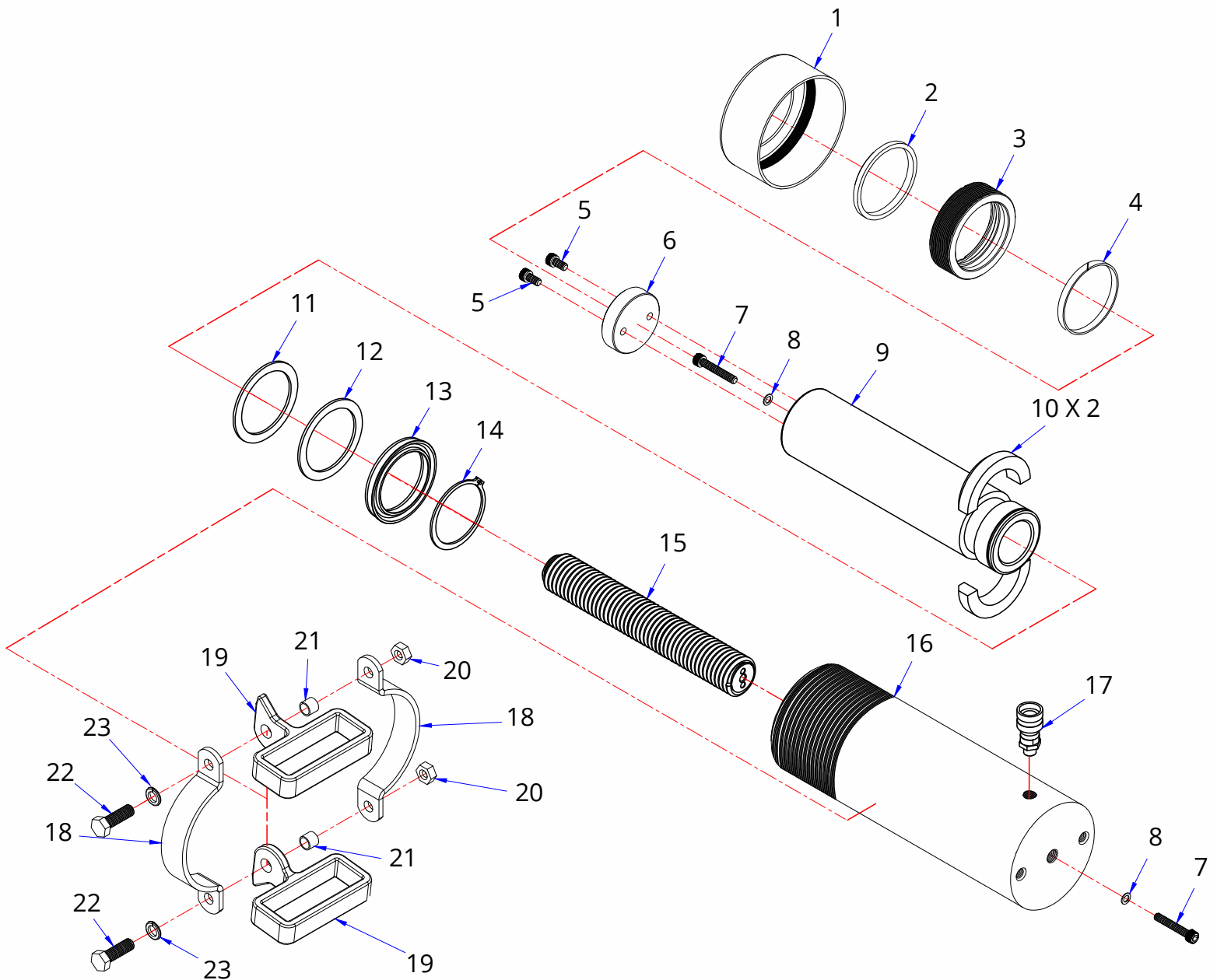


PowerX International, LLC
21860 Watertown Road
Waukesha, WI 53186
Ph: (414) 988-6202

Model: C100-X

SINGLE ACTING SPRING RETURN CYLINDER

PART LIST





PowerX International, LLC
21860 Watertown Road
Waukesha, WI 53186
Ph: (414) 988-6202

Repair Parts List				
Item	Description	Qty.	Part Number	
			C100-6	C100-10
1	Rubber Protective Cover	1	PSV-C148	PSV-C148
2	Wiper *	1	PSV-C149	PSV-C149
3	Stop Ring	1	PSV-C150	PSV-C150
4	Place Holder	1	PSV-C151	PSV-C151
5	Saddle Screw	2	PSV-C128	PSV-C128
6	Saddle	1	PSV-C129	PSV-C129
7	Screw	2	PSV-C152	PSV-C152
8	Copper Washer *	2	PSV-C131	PSV-C131
9	Piston Rod	1	PSV-C153	PSV-C164
10	2-Piece Rod Bearing	1	PSV-C154	PSV-C154
11	Piston Washer *	1	PSV-C155	PSV-C155
12	Back-Up Ring *	1	PSV-C156	PSV-C156
13	U-Cup *	1	PSV-C157	PSV-C157
14	Retaining Ring	1	PSV-C158	PSV-C158
15	Retracting Spring	1	PSV-C159	PSV-C165
16	Cylinder Body	1	PSV-C160	PSV-C166
17	Coupler	1	PSV-C015	PSV-C015
18	Bracket	2	PSV-C140	PSV-C140
19	Handle	2	PSV-C161	PSV-C161
20	Nut	2	PSV-C142	PSV-C142
21	Spacer	2	PSV-C143	PSV-C143
22	Screw	2	PSV-C162	PSV-C162
23	Lock Washer	2	PSV-C163	PSV-C163

* Denotes items included in the PXRPK-C100 repair kit