

4

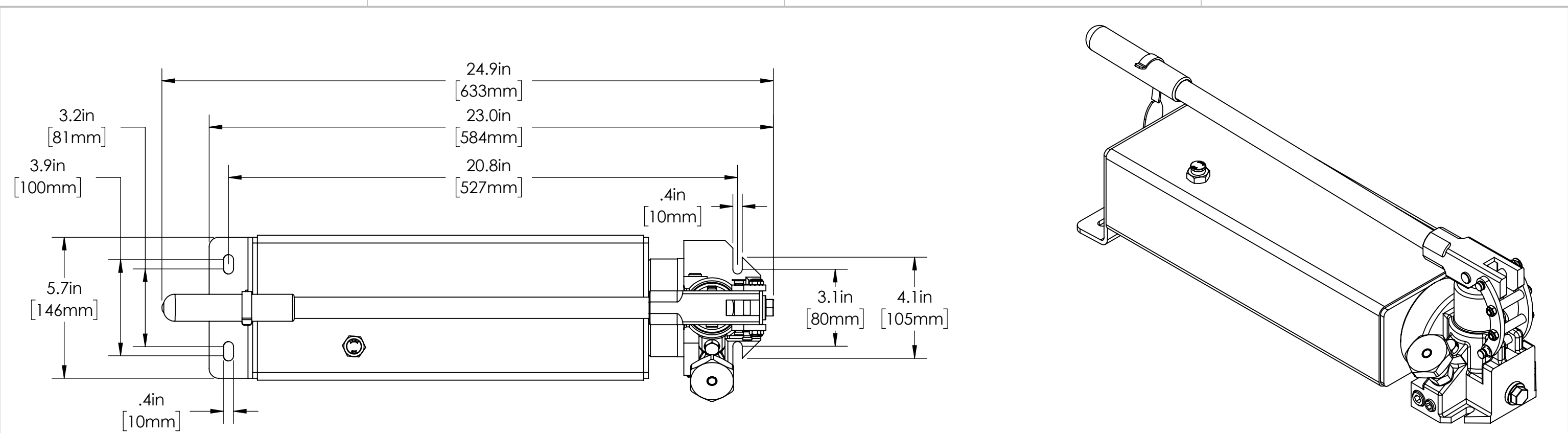
3

2

1

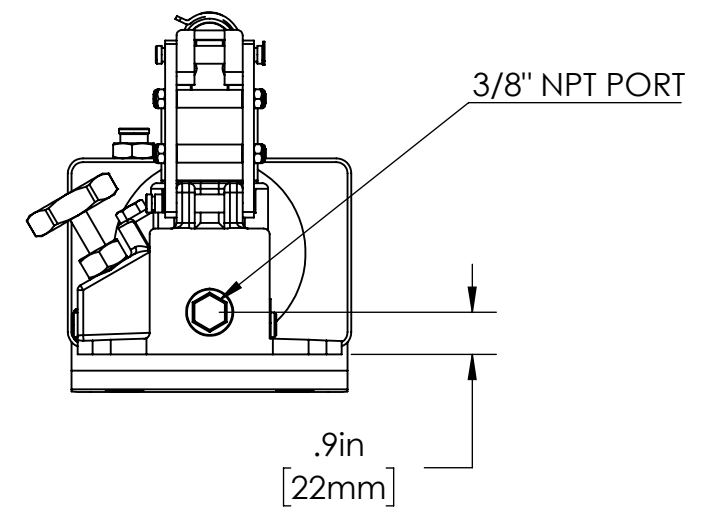
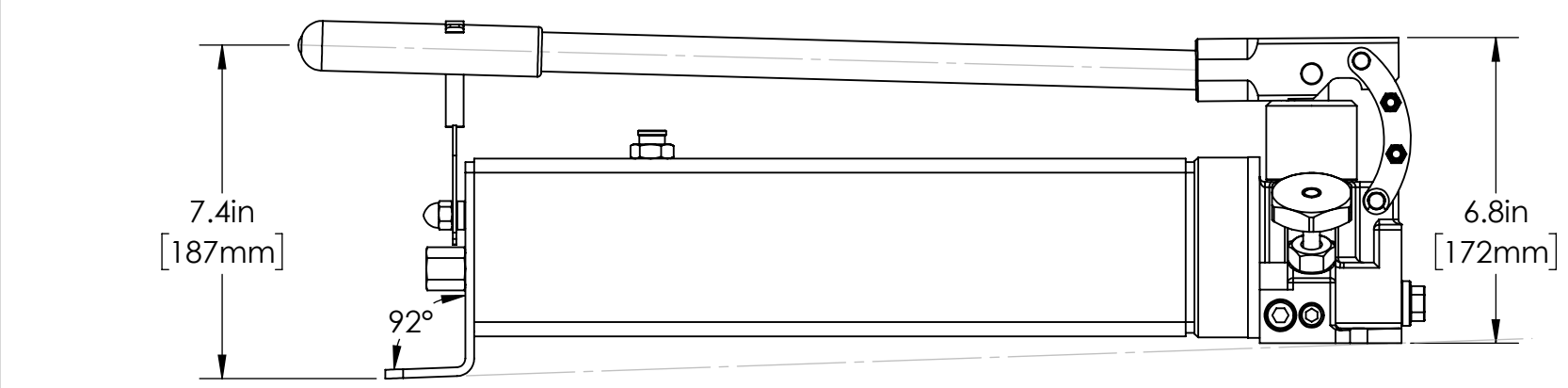
B

B



A

A



NOTES:

1. RESERVOIR CAPACITY: 213 CU.IN.
2. OIL VOLUME PER STROKE:
 1. FIRST STAGE: 1.8 CU.IN.
 2. SECOND STAGE: .2 CU.IN.
3. OPERATING PRESSURE
 1. FIRST STAGE: 400 PSI
 2. SECOND STAGE: 10,000 PSI
4. WORK PORT: 3/8" NPT
5. COLOR: POWERX RED

REV.	ECN.	DATE	DRAWNBY	DESCRIPTION	APPROVED	APPR. DATE
B	C18-10-128	10/22/2018	JJJ	ASSOCIATED MODEL WITH DRAWING; UPDATED ALL DIMENSIONS	JJJ	10/22/18
A	C18-10-127	10/10/2018	JJJ	RELEASE OF DOCUMENT	JJJ	10/10/18
REVISIONS						

THIRD ANGLE PROJECTION

PROPRIETARY AND CONFIDENTIAL

THE INFORMATION CONTAINED IN THIS DRAWING IS THE SOLE PROPERTY OF PowerX International. ANY REPRODUCTION IN PART OR AS A WHOLE WITHOUT THE WRITTEN PERMISSION OF PowerX International IS PROHIBITED.

UNLESS OTHERWISE SPECIFIED: DIMENSIONS ARE IN INCHES.		NAME	DATE
TOLERANCES: FRACTIONAL ±1/16 ANGLES ±1° ONE PLACES ±.050 (1.25mm) TWO PLACES ±.010 (.25mm) THREE PLACES ±.005 (.13mm) FINISH 125 MAX C/B .020		JJJ	10/10/18
MATERIAL		ENG APPR.	JJJ
FINISH		MFG APPR.	
DO NOT SCALE DRAWING		Q.A.	
		COMMENTS:	

POWERX

TITLE:
**PUMP, HAND, 213 CU.IN.
INSTALLATION**

SIZE	DWG. NO.	REV
B	P213 Install	B
SCALE: 1:4	WEIGHT:	SHEET 1 OF 1

4

3

2

1