

4

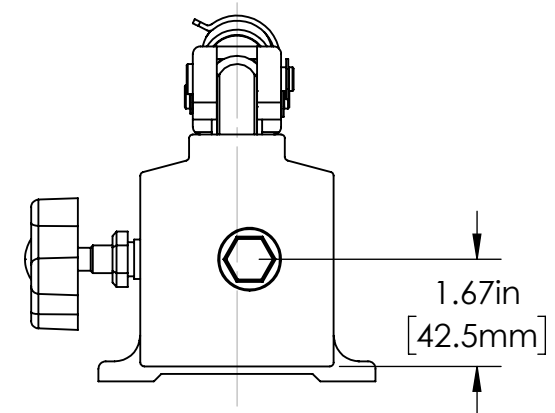
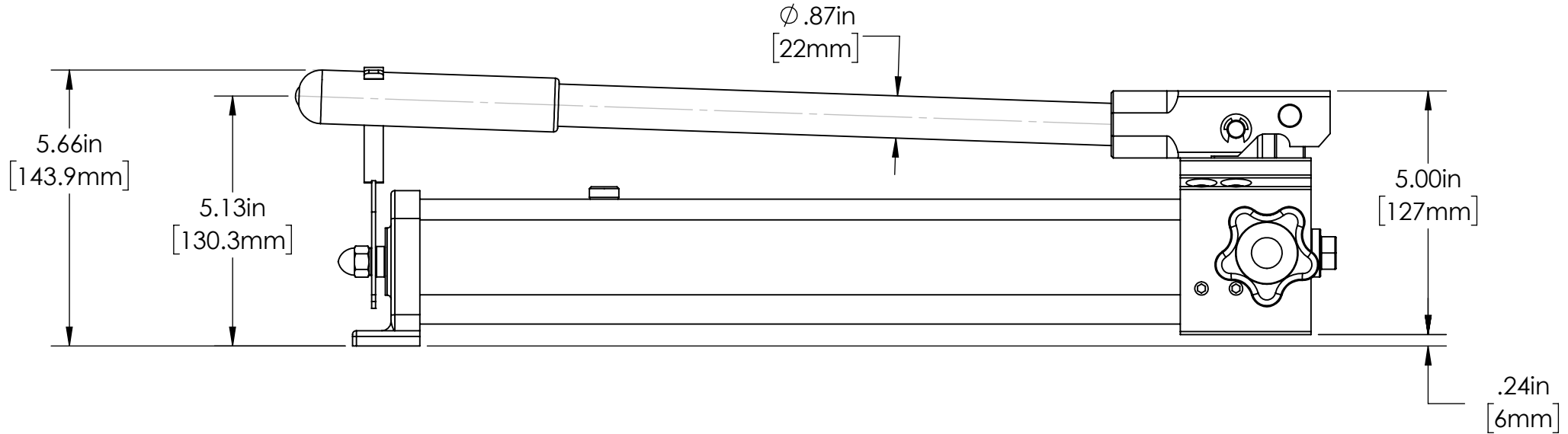
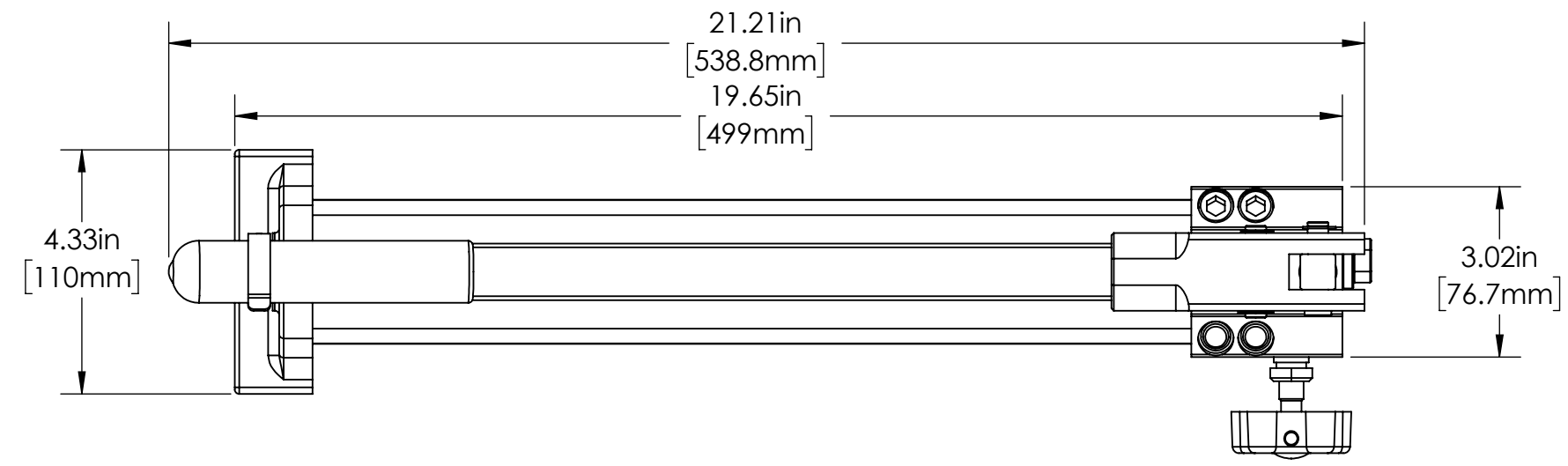
3

2

1

B

B



ITEM NO.	OIL CAPACITY (in3)	SPEED	PRESSURE RATING (PSI)		OIL / STROKE (IN3)		HANDLE EFFORT (LBS)	PORT SIZE	WEIGHT (LBS)
			1ST STAGE	2ND STAGE	1ST STAGE	2ND STAGE			
P61L-15K	61	2	300	14,500	0.79	0.10	108	3/8" NPT	9.0

A

A

UNLESS OTHERWISE SPECIFIED:
DIMENSIONS ARE IN INCHES.

TOLERANCES:
FRACTIONAL ±1/16
ANGLES ±1°
ONE PLACES ±.050 (1.25mm)
TWO PLACES ±.010 (.25mm)
THREE PLACES ±.005 (.13mm)
FINISH 125 MAX
C/B .020

THIRD ANGLE PROJECTION

PROPRIETARY AND CONFIDENTIAL
THE INFORMATION CONTAINED IN THIS DRAWING IS THE SOLE PROPERTY OF PowerX International. ANY REPRODUCTION IN PART OR AS A WHOLE WITHOUT THE WRITTEN PERMISSION OF PowerX International IS PROHIBITED.

	NAME	DATE
DRAWN	JJJ	5/31/18
CHECKED		
ENG APPR.	JJJ	6/2/18
MFG APPR.		
Q.A.		
COMMENTS:		



TITLE:
PUMP, HAND, 61 CU.IN., ALUMINUM, 15K

REV.	ECN.	DATE	DRAWNBY	DESCRIPTION	APPROVED	APPR. DATE
B	C18-06-062	6/6/2018	JJJ	UPDATED FILE NAME	JJJ	6/6/18
A	C18-05-059	5/31/2018	JJJ	RELEASE OF DRAWING	JJJ	06/02/2018
REVISIONS						

SIZE	DWG. NO.	REV
B	P61L-15K - Install	B
SCALE: 1:3	WEIGHT:	SHEET 1 OF 1

4

3

2

1