

## HAND PUMPS

| Part Number | Pressure Rating (psi) |           | Usable Oil Capacity (in3) | Reservoir Capacity (in3) | Oil Volume/Stroke (in3) |           | Reservoir Construction | Use with Cylinder | Weight (lbs.) |
|-------------|-----------------------|-----------|---------------------------|--------------------------|-------------------------|-----------|------------------------|-------------------|---------------|
|             | 1st Stage             | 2nd Stage |                           |                          | 1st Stage               | 2nd Stage |                        |                   |               |
| P21L        | 200                   | 10,000    | 21                        | 31                       | 0.79                    | 0.10      | aluminum               | S/A               | 5.1           |
| P37         |                       | 10,000    | 34                        | 46                       | 0.79                    | 0.17      | steel                  | S/A               | 17            |
| P43         | -                     | 10,000    | 39                        | 52                       | -                       | 0.20      | steel                  | S/A               | 17            |
| P61L        | 200                   | 10,000    | 46                        | 61                       | 0.79                    | 0.10      | aluminum               | S/A               | 9.1           |
| P122        |                       | 10,000    | 110                       | 128                      | 0.79                    | 0.17      | steel                  | S/A               | 28            |
| P122DL      |                       | 10,000    | 99                        | 122                      | 0.79                    | 0.14      | aluminum               | D/A               | 16            |
| P122HF      | 400                   | 10,000    | 122                       | 153                      | 2.4                     | 0.17      | aluminum               | S/A               | 26            |
| P427        |                       | 10,000    | 427                       | 427                      | 6.89                    | 0.24      | aluminum               | S/A               | 55            |
| P427D       |                       | 10,000    | 427                       | 427                      | 6.89                    | 0.24      | aluminum               | D/A               | 60            |



P43



P61L



P122



P122DL



P427

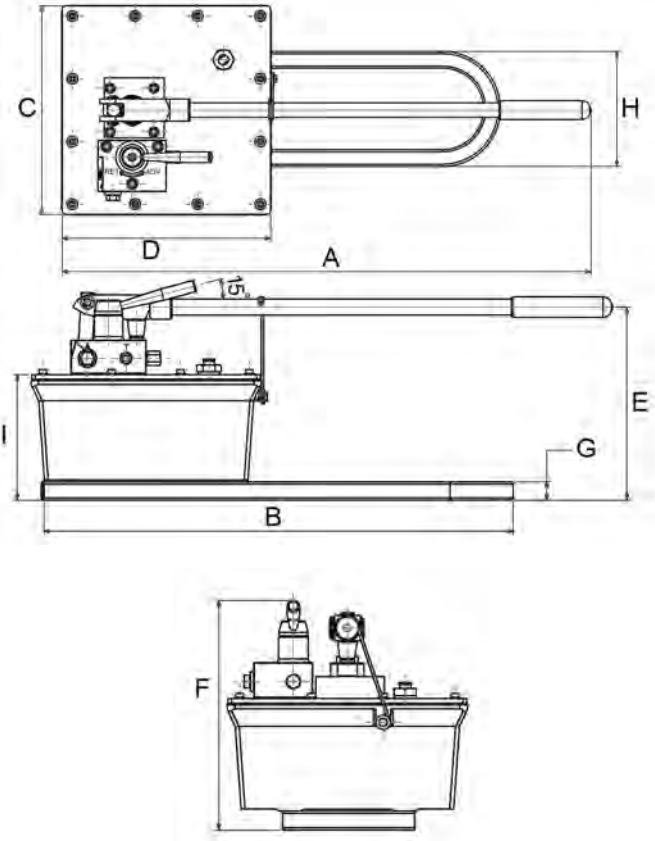
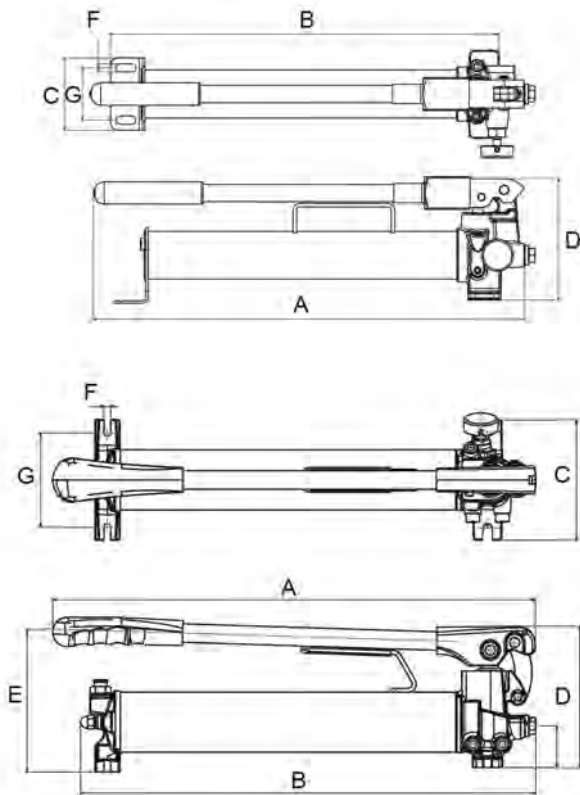


P427D

### DESCRIPTION

- Rugged steel or aluminum alloy body construction and low handle efforts.
- Both single and two speed models available for single and double acting cylinders.
- Connect to double acting cylinders with no need for additional control valve or adapters needed.
- Pressure relief valves for overload protection.
- Load release valve for single acting cylinder usage.

# Hand Pumps



| Part Number | A<br>(In.) | B<br>(In.) | C<br>(In.) | D<br>(In.) | E<br>(In.) | F<br>(In.) | G<br>(In.) | H<br>(In.) | I<br>(In.) |
|-------------|------------|------------|------------|------------|------------|------------|------------|------------|------------|
| P21L        | 15.40      | 14.21      | 4.81       | 4.99       | 5.11       | N/A        | N/A        | N/A        | N/A        |
| P37         | 21.32      | 20.28      | 5.92       | 5.81       | 5.59       | N/A        | N/A        | N/A        | N/A        |
| P43         | 25.12      | 21.91      | 5.93       | 5.81       | 5.66       | N/A        | N/A        | N/A        | N/A        |
| P61L        | 21.21      | 19.70      | 4.81       | 5.00       | 5.13       | N/A        | N/A        | N/A        | N/A        |
| P122        | 23.00      | 21.60      | 5.80       | 6.63       | 7.60       | 0.41       | 4.00       | N/A        | N/A        |
| P122DL      | 24.00      | 22.80      | 5.60       | 5.30       | 5.30       | N/A        | N/A        | N/A        | N/A        |
| P122HF      | 24.92      | 22.26      | 5.91       | 7.68       | 8.74       | 0.31       | 4.80       | N/A        | N/A        |
| P427        | 30.98      | 25.00      | 12.20      | 12.20      | 10.28      | 11.73      | 0.98       | 6.73       | 6.69       |
| P427D       | 30.98      | 25.00      | 12.20      | 12.20      | 10.28      | 11.73      | 0.98       | 6.73       | 6.69       |