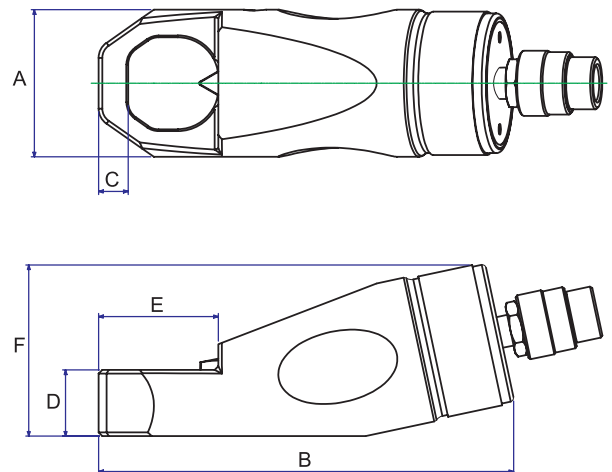


## NUT SPLITTERS

Part Number	Hexagon Nut Range (in.)	Bolt Range (in)	Capacity (Ton)	Oil Capacity (in <sup>3</sup> )	Dimensions						Weight (lbs.)
					A (in)	B (in)	C (in)	D (in)	E (in)	F (in)	
PXNS1924	.75 - .94	.44 - .56	10	1.22	2.36	6.58	0.39	0.98	1.57	2.68	4.6
PXNS2432	.94 - 1.13	.56 - .75	15	3.66	2.76	7.01	0.51	1.18	2.05	2.99	6.8
PXNS3241	1.13 - 1.56	.75 - 1.00	20	4.88	3.15	8.90	0.59	1.42	2.56	3.66	9.3

### DESCRIPTION

- Compact design for use in confined spaces.
- All models feature a rugged one-piece cutting frame coupled to a heavy-duty hydraulic cylinder.
- Specially designed "tool steel" cutter blade cuts the nut with accuracy and precision.
- Unique angled head design to keep contact with the nut during operation.
- Angled cutter blade with radius produces greater resistance for cutting and splitting.
- Our nut splitters include a spare blade, a spare set screw and the wrench used to secure the chisel.



### Recommended Pump and Accessories

