

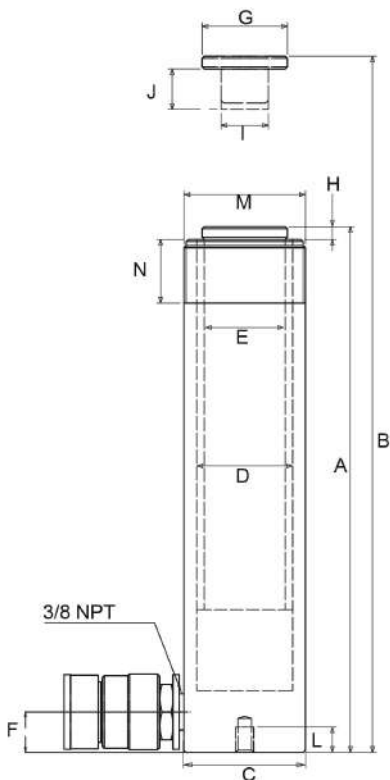


DESCRIPTION

- Single acting with heavy duty spring return.
- Steel construction and chrome plated rod.
- Collar threads with protective cover & base mounting holes.
- 3/8" NPTF port with high flow coupler and dust cap.
- Durable exterior finish and ANSI B30.1 compliant.

SINGLE ACTING CYLINDERS

Part Number	Capacity (tons)	Stroke (in)	Oil Capacity (in ³)	(A) Collapsed Height (in)	(B) Extended Height (in)	(C) Outside Dia. (in)	Collar Thread
C5-1	5	1	0.99	4.34	5.34	1.50	1-1/2-16
C5-3		3	2.98	6.50	9.50		
C5-5		5	4.97	8.50	13.55		
C5-7		7	6.96	10.75	17.80		
C5-9		9	9.07	12.75	21.93		
C10-1	10	1	2.24	3.62	4.62	2.25	2-1/4"-14
C10-2		2	4.75	4.86	6.91		
C10-4		4	9.23	6.85	10.88		
C10-6		6	13.70	9.86	15.76		
C10-8		8	17.89	11.85	19.80		
C10-10		10	22.65	13.85	23.80		
C10-12		12	26.81	15.87	27.83		
C10-14	14	31.40	17.72	31.75			
C15-2	15	2	6.28	5.88	7.88	2.75	2-3/4"-12
C15-4		4	12.57	7.88	11.88		
C15-6		6	18.85	10.69	16.54		
C15-8		8	25.13	12.69	20.55		
C15-10		10	31.42	14.69	24.59		
C15-12		12	37.70	16.69	28.69		
C15-14	14	43.98	18.69	32.69			
C25-1	25	1	5.25	5.40	6.44	3.35	3-5/16"-12
C25-2		2	10.31	6.83	8.84		
C25-4		4	20.63	8.78	12.74		
C25-6		6	32.23	10.79	16.95		
C25-8		8	42.55	12.80	20.77		
C25-10		10	52.86	14.80	24.78		
C25-12		12	63.18	16.73	28.98		
C25-14	14	73.49	18.74	33.00			
C55-2	55	2	22.09	6.94	8.94	5.00	5"-12
C55-4		4	44.18	8.96	12.94		
C55-6		6	69.00	11.13	17.38		
C55-10		10	110.82	15.10	25.15		
C55-13		13	146.34	18.13	31.38		
C100-6	100	6	136.67	14.06	20.69	6.99	6-7/8"-12
C100-10		10	211.45	17.69	27.94		



Single Acting Cylinders

(N) Thread Length (in)	(E) Rod Dia. (in)	(D) Bore Dia. (in)	Effective Area (in ²)	(F) Base to Advance Port	(G) Saddle Dia. (in)	(I) Rod Internal Thread	(J) Rod Thread Length (in)	Bolt Circle (in)	Thread	Thread Depth (in)	Weight (lbs.)
1.13	1.00	1.13	0.99	0.75	1.00	3/4"-16	0.56	1.00	1/4-20	0.56	2.3
											3.3
											4.1
											5.3
											6.1
1.13	1.50	1.69	2.24	0.75	1.50	1"-8	0.75	1.56	5/16"-18	0.50	3.9
											4.9
											6.5
											9.2
											11
											13
											15
17											
1.19	1.63	2.00	3.14	.98	1.57	1"-8	1.00	1.88	3/8"-16	0.50	9.1
											11
											15
											18
											21
											23
25											
1.94	2.25	2.56	5.16	1.00	2.00	1-1/2"-16	1.00	2.31	1/2"-13	0.75	12
											14
											18
											22
											26
											31
											35
39											
1.75	3.13	3.75	11.04	1.38	3.15	-	-	3.75	1/2"-13	0.75	33
											39
											45
											65
1.75	4.13	5.13	20.63	1.57	4.13	-	-	5.50	3/4"-10	1.00	83
											130
											160